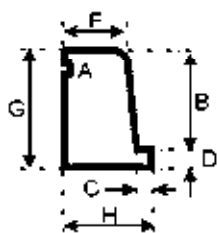


Sills



215-140-90 mm Sill (Timber Frame Type)

- A Throating (Waterdrip)
- B 165 mm
- C 17 mm
- D 24 mm
- E Various
- F 90 mm
- G 215 mm
- H 140 mm
- Weight: 55 kg (1000 mm Long)



210-75-45 mm Sill (Timber Frame Type)

- A Throating (Waterdrip)
- B 182 mm
- C 14 mm
- D 14 mm
- E Various
- F 45 mm
- G 210 mm
- H 75 mm
- Weight: 26 kg (1000 mm Long)



270-140-102 mm Sill (Standard House Type)

- A Throating (Waterdrip)
- B 173 mm
- C 20 mm
- D 64 mm
- E Various
- F 102 mm
- G 270 mm
- H 140 mm
- Weight: 86 kg (1000 mm Long)

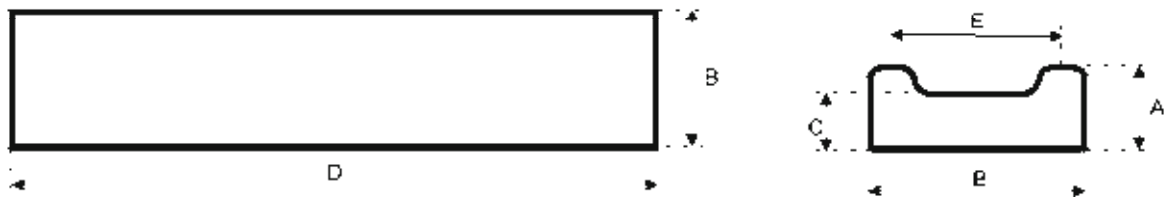


268-105-50 mm Sill (Standard House Type)

- A Throating (Waterdrip)
- B 192 mm
- C 31 mm
- D 50 mm
- E Various
- F 50 mm
- G 268 mm
- H 105 mm
- Weight: 43 kg (1000 mm Long)



Drainage Channel - Open Type

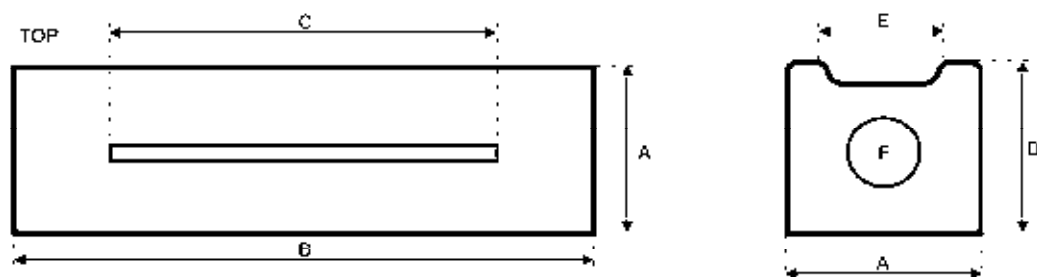


150 - 50 mm Drainage Channel (Open Type)

- A 50 mm
- B 150 mm
- C 40 mm
- D 910 mm
- E 140 mm
- Weight: 14 kg



Drainage Channel - Closed Type

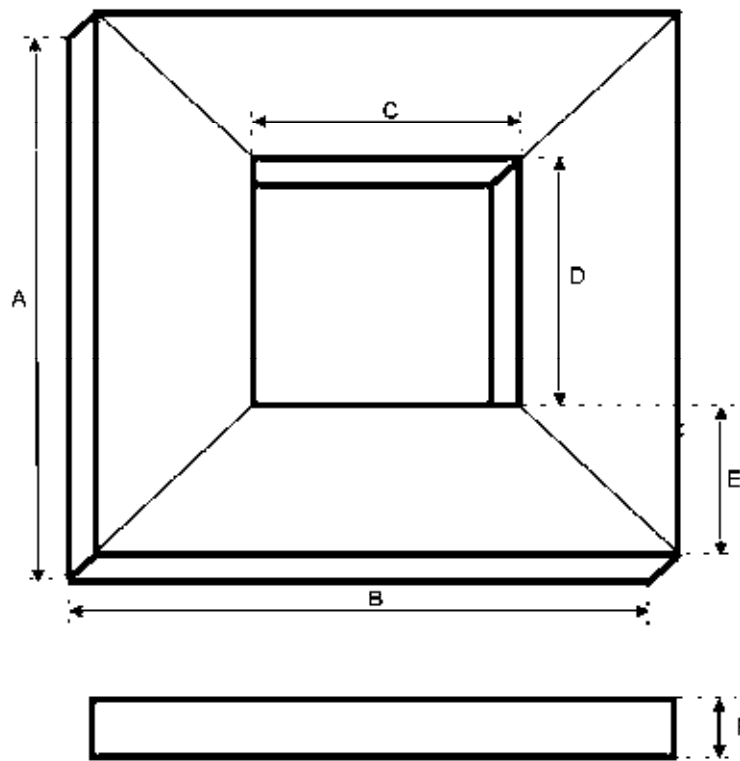


250 - 260 - 900 mm Drainage Channel (Closed Type)

- A 280 mm
- B 900 mm
- C 655 mm
- D 250 mm
- E 240 mm
- F \varnothing 110 mm
- Weight: 80 kg



Chimney Capping - Single



27" x 27" Specification:

- A 685mm
- B 675mm
- C 300mm
- D 325mm
- E 175mm
- F 65mm

Weight: 60 kg



Chimney Capping - Double



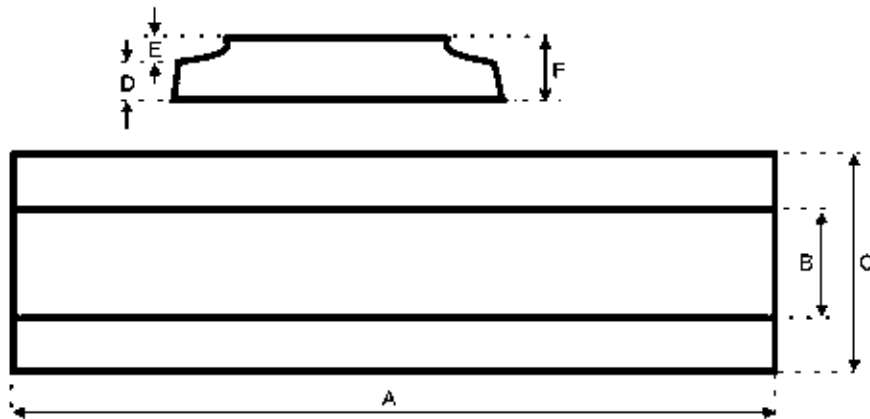
27" x 42" Specification:

- A 680mm
- B 1060mm
- C 705mm
- D 325mm
- E 175mm
- F 65mm

Weight: 90 kg



Wall Capping



7" Specification

A	905 mm
B	113 mm
C	180 mm
D	40 mm
E	40 mm
F	67 mm
Weight:	22 kg

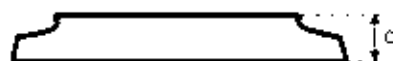
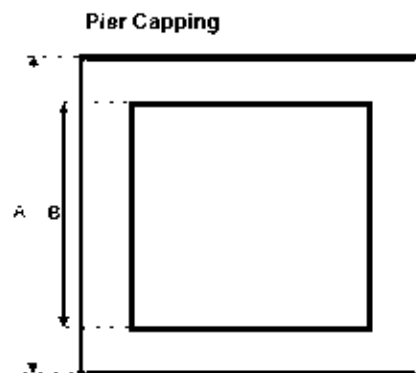


12" Specification

A	905 mm
B	190 mm
C	305 mm
D	45 mm
E	70 mm
F	80 mm
Weight:	42 kg



Pier Capping



22" x 22" Specification

A	560mm
B	437mm
C	85mm

27" x 27" Specification

A	685mm
B	543mm
C	88mm

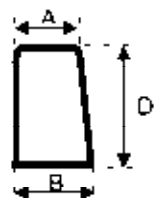
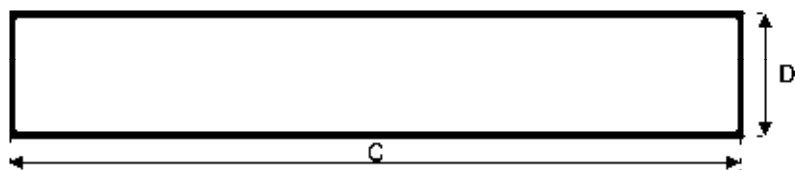
31" x 31" Specification

A	787mm
B	523mm
C	114mm

Weight : about 100kg



Garden Edge



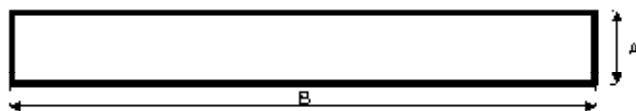
150mm-50mm Kerb (Garden Edge)

- A 45 mm
- B 50 mm
- C 914 mm
- D 150 mm

Weight: 18.5 kg



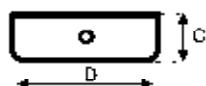
Lintels



160-70 Lintel Specification

- A 100mm
- B Various (510-3300mm)
- C 70mm
- D 94mm

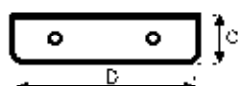
Prestressed Steel (1 Cord)
Weight (1m long): 18.6 kg



150-70 Lintel Specification

- A 150mm
- B Various (510-3300mm)
- C 70mm
- D 136mm

Prestressed Steel (1 Cord)
Weight (1m long): 24.4 kg



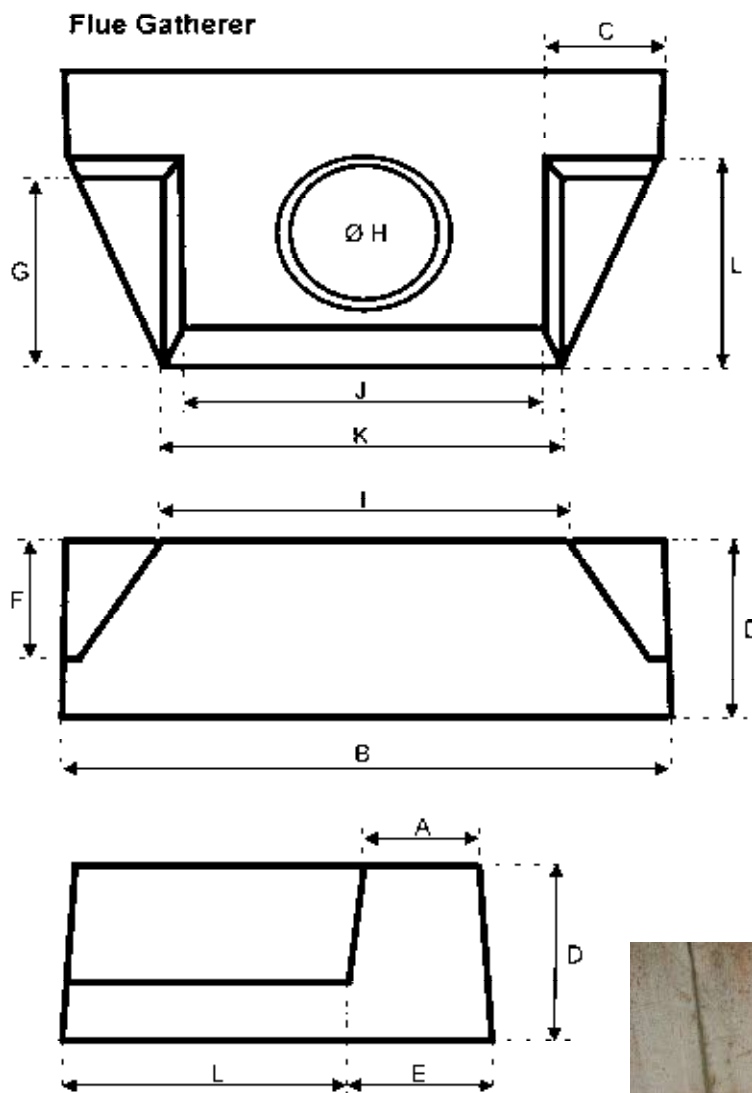
225-70 Lintel Specification

- A 215mm
- B Various (510-3300mm)
- C 70mm
- D 203mm

Prestressed Steel (2 Cords)
Weight (1m long): 36.2 kg



Flue Gatherer

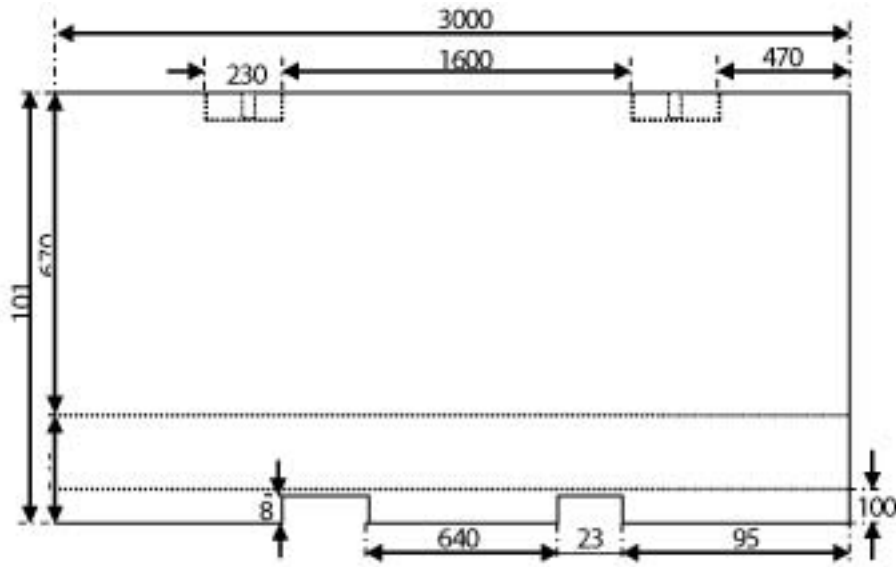


Specification:

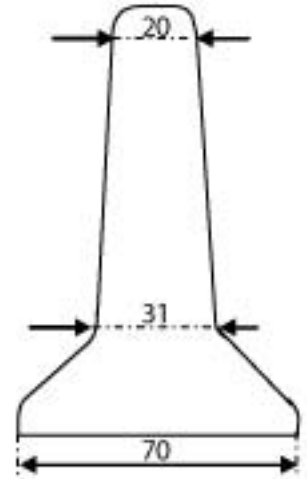
- A 90mm
- B 750mm
- C 175mm
- D 215mm
- E 145mm
- F 175mm
- G 257mm
- H 203mm
- I 423mm
- J 567mm
- K 612mm
- L 285mm



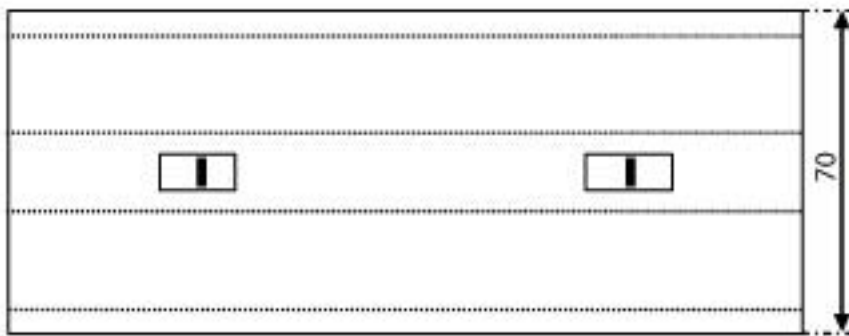
Stopper



New Type Stopper

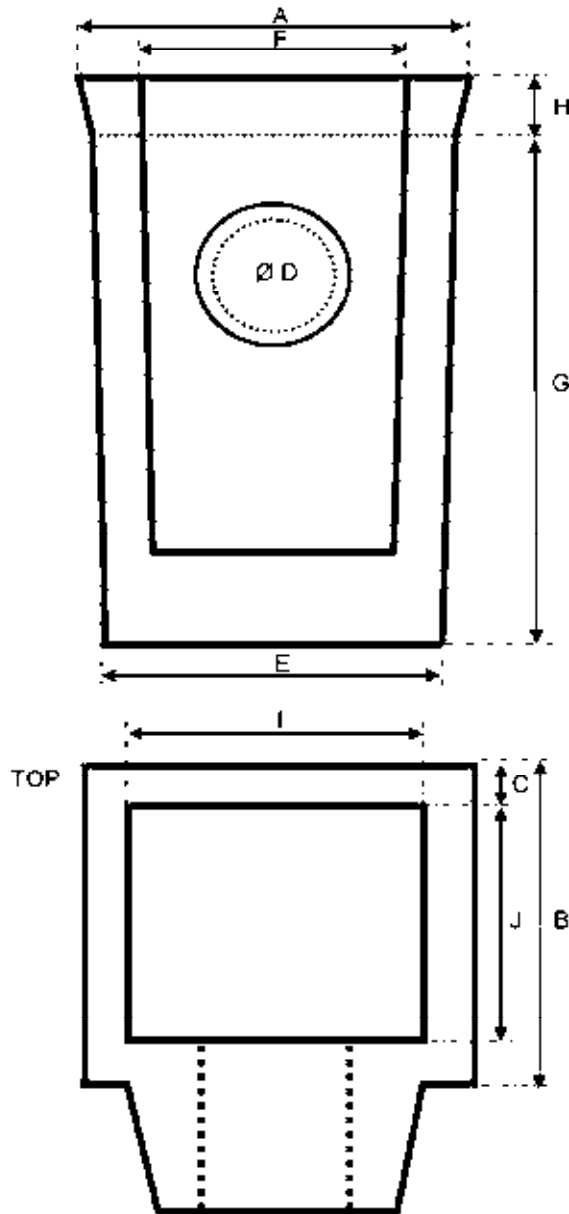


Weight 2400kgs



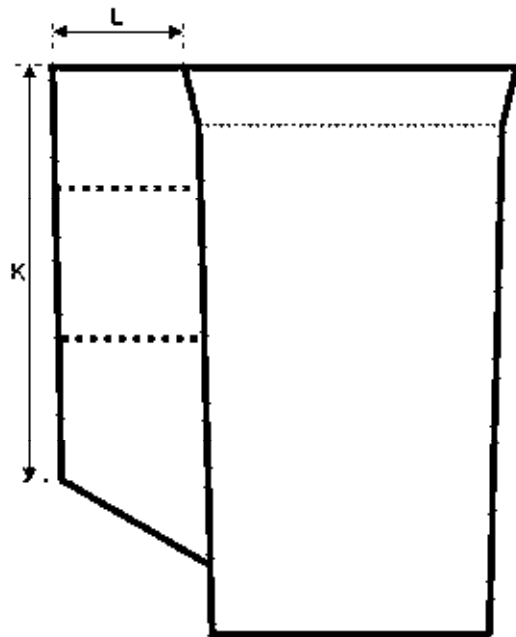
Road Gully - Trapped

Road Gully Trapped

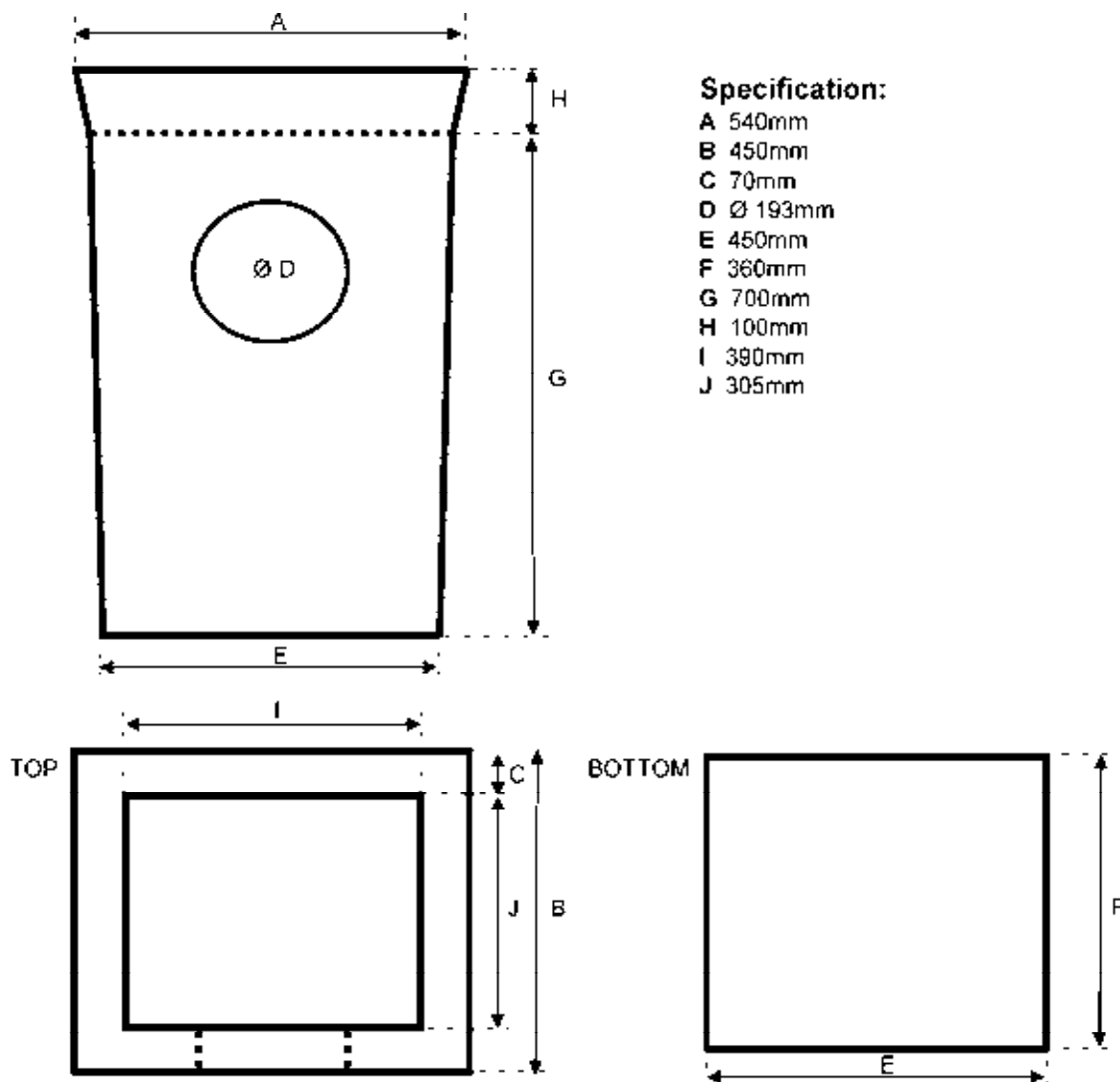


Specification:

- A 530mm
- B 450mm
- C 75mm
- D Ø 193mm
- E 445mm
- F 280mm
- G 700mm
- H 100mm
- I 385mm
- J 300mm
- K 390 mm
- L 200mm



Road Gully - Untrapped

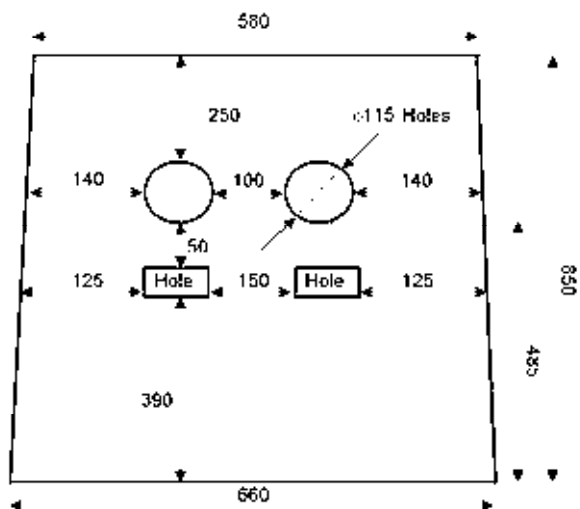
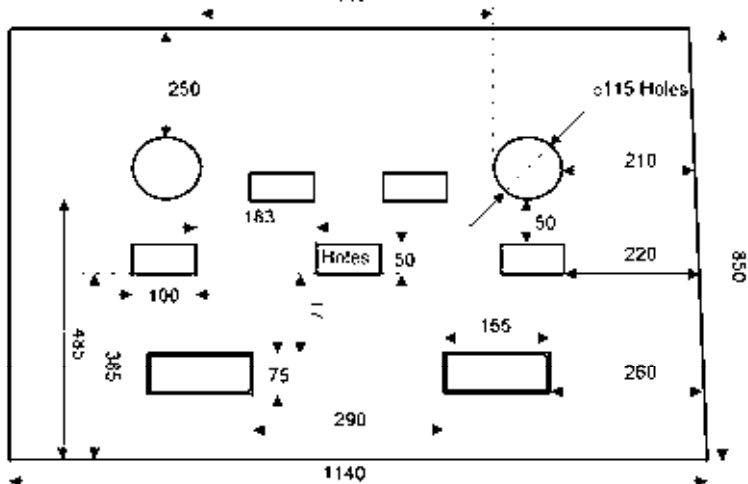
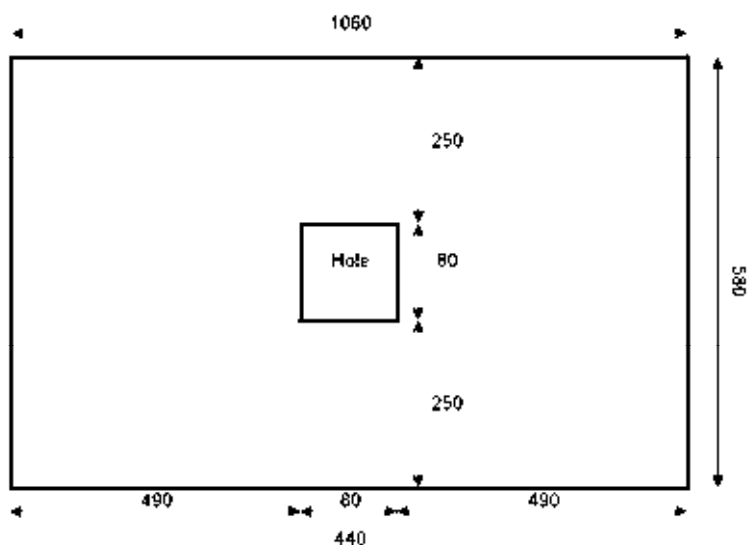


- Specification:**
- A 540mm
 - B 450mm
 - C 70mm
 - D \varnothing 193mm
 - E 450mm
 - F 360mm
 - G 700mm
 - H 100mm
 - I 390mm
 - J 305mm



Eircom Manhole

ERICOM MANHOLE
Weight: 700kg



ESB Manhole



ESB MANHOLE

